

# LARGE TOW TRACTOR



# HEAVY-DUTY GROUND SUPPORT

- ▶ 44100 - 59500 lb. Towing Capacity
- ▶ Ergonomic Operator Compartment
- ▶ 80-Volt AC Drive System
- ▶ Tight Turning Radius



2TE15 | 2TE18 | 3TE25

CLASS  
6

ELECTRIC TOW TRACTORS

[ToyotaForklift.com](http://ToyotaForklift.com)

# IT'S BIG ON PULL

**THE TOYOTA LARGE TOW TRACTOR.** Generous pulling power, low operating expense. With that combination, it's no wonder aviation professionals are big on the Toyota Large Tow Tractor. Up to 59500 pounds of towing power and an extremely tight turning radius suit it for heavy-duty towing operations in crowded, busy environments. Clean 80-Volt AC Power is ideal for the budget-conscious and better for the environment.



UP TO **59500** LB.  
TOWING CAPACITY

UP TO **17.5** MPH  
TRAVEL SPEED WITHOUT LOAD



3TE25

# LARGE TOW TRACTOR ADVANTAGES

---

- ▶ **80-VOLT AC DRIVE SYSTEM** powerful enough to haul large loads at high speeds over long distances and up steep ramps and grades
- ▶ **SINGLE-PIN DRAWBAR QUICK-RELEASE** lets operator release carts without leaving seat, streamlining work operations
- ▶ **ENORMOUS 44100 – 59500 LB. TOWING CAPACITY**
- ▶ **INDUSTRIAL FRONT AXLE WITH HYDRAULIC POWER STEERING** features a cylinder and mechanism mounted within vehicle frame to guard against common obstacles in harsh work terrains
- ▶ **BACKLIT LIQUID CRYSTAL MULTIFUNCTION DIGITAL DISPLAY** with a broad range of programmable functions including speed control
- ▶ **HIGH TOW CAPACITY AND EXCELLENT TRAVEL SPEED** mean the 3TE25 performs comparably to diesel-powered models while also eliminating emissions
- ▶ **ERGONOMIC OPERATOR COMPARTMENT** designed with end user comfort and enhanced visibility of meters and gauges in mind
- ▶ **TWO OPERATING POSITIONS AVAILABLE** including forward compartment on the 2TE15/18 and rear compartment on the 3TE25



2TE15 | 2TE18

## LARGE TOW TRACTOR

### TOWING CAPACITY

**44100 - 59500 LBS.**

### MAXIMUM DRAWBAR PULL

**3300 - 5500 LBS.**

### VOLTAGE

**80**

### INDUSTRIES



Airport



Factory



General  
Manufacturing



Oil & Gas

## STANDARD FEATURES

### PERFORMANCE

- 80-Volt AC drive system
- Hydraulic power steering
- Power select function
- Automatic regenerative braking
- Fixed rear axle<sup>1</sup>
- Full floating rear axle with leaf spring suspension<sup>2</sup>
- 2-speed travel speed control
- Onboard diagnostic & warning system
- Front leaf spring suspension
- Programmable speed control
- Slope sensing auto-power mode<sup>2</sup>

### SERVICEABILITY

- Easy access for all maintenance items
- Battery hood assist damper with lock device

### ERGONOMICS

- Infinitely adjustable tilt steering wheel
- Dual action parking brake
- Low entry step height
- Heavy-duty vinyl seat
- Column mounted LCD display & Direction Control<sup>1</sup>
- Dash mounted LCD display<sup>2</sup>
- Driver's side grab bar
- Multifunction display includes:
  - Battery capacity indicator
  - Speedometer
  - 2-speed travel control indicator
  - Parking brake indicator
  - Power select function indicator
  - Battery overdischarge warning
  - Battery remaining charge warning
  - Overheat warning
  - Parking brake on/off alarm
  - Return to neutral warning
  - Travel speed alarm
  - Diagnostic indicator
  - 5-function trip & hour meter
  - Calendar & clock
  - Power meter<sup>2</sup>
  - Slope sensing auto-power mode-selector indicator<sup>2</sup>
  - Wheel indicator<sup>2</sup>
  - Seat ON hour meter<sup>2</sup>
  - Maintenance hour meter<sup>2</sup>
  - QR code display<sup>2</sup>
  - Brake fluid level warning<sup>2</sup>

### DURABILITY

- Steel unibody construction
- Tight turning radius
- Front radial, rear bias ply tires
- Easy access service compartments
- DC-DC converter
- Industrial front axle
- Rear single-stage pin-type hitch with remote release
- Brushless AC dual drive motors<sup>3</sup>

### SUPPORT

- Operator Presence Sensing System (OPSS)
- Parking brake alarm
- Asbestos-free components
- Anti-rollback function
- Electric horn
- Front disc/rear drum hydraulic brakes
- Emergency power disconnect
- Recessed LED front headlights<sup>2</sup>
- LED front & rear combination lights<sup>2</sup>
- Recessed halogen front headlights<sup>1</sup>

## OPTIONAL EQUIPMENT

- Battery side extraction<sup>1</sup>
- Rear combination lights<sup>1</sup>
- Rear work light<sup>1</sup>
- Turn signal lights<sup>1</sup>
- Back up alarm
- Rearview mirrors (right & left sides)
- Tow hitch view mirror<sup>1</sup>
- Suspension seat<sup>2</sup>
- Passenger seat
- Passenger side grip
- Bumper (front, side, & rear)<sup>1,4</sup>
- Document box on dash
- Auxiliary load platform on battery compartment lid<sup>1</sup>
- Rear inching controls
- Left or right hand direction switch (push forward for forward)<sup>1</sup>
- GSE-style direction switch (pull back for forward)
- Outside charging plug<sup>2</sup>
- Rear fender-mounted battery connector with quick release<sup>1</sup>
- Special paint<sup>5</sup>
- Heater with defroster (cabin only)
- Steel cabin with doors, roof window
- Steel sunshade cabin (front, top, & rear glass - no doors)
- Rearview mirror (center, cabin only)
- Rear double-stage pin-type hitch
- Front single pin-type hitch<sup>2</sup>

<sup>1</sup> 2TE15/18 only

<sup>2</sup> 3TE25 only

<sup>3</sup> 2TE15/18 are single drive motor

<sup>4</sup> Contact your local dealer for more information on bumper availability

<sup>5</sup> Please provide paint map & sample paint codes/colors (subject to approval)

Please contact your local, authorized Toyota Dealer for a complete list of available options.

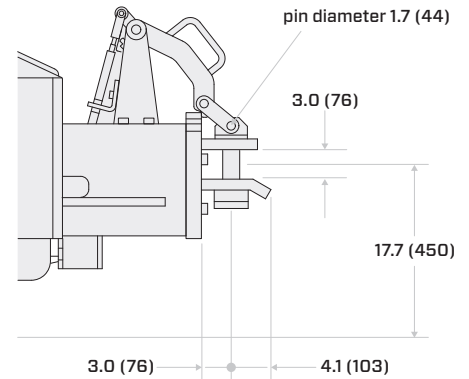
## TOWED WEIGHT CHART

RAMP DEGREE	RAMP GRADE	LEVEL START WITH ONE TRAILER	START ON GRADE WITH ONE TRAILER
	%	lb (kg)	lb (kg)
<b>2TE15</b>			
0	0.0	44100 (20000)	—
1	1.7	44100 (20000)	37700 (17100)
2	3.4	44100 (20000)	29300 (13300)
3	5.2	40800 (18500)	23800 (10800)
4	6.9	31500 (14300)	19600 (8900)
5	8.7	25400 (11500)	16500 (7500)
6	10.5	20700 (9400)	14100 (6400)
7	12.2	17400 (7900)	12100 (5500)
8	14.0	14800 (6700)	10400 (4700)
9	15.8	12600 (5700)	9000 (4100)
10	17.6	10800 (4900)	7900 (3600)
<b>2TE18</b>			
0	0.0	55100 (25000)	—
1	1.7	55100 (25000)	45400 (20600)
2	3.4	55100 (25000)	35500 (16100)
3	5.2	49200 (22300)	28900 (13100)
4	6.9	38100 (17300)	23900 (10800)
5	8.7	30600 (13900)	20100 (9100)
6	10.5	25100 (11400)	17200 (7800)
7	12.2	21200 (9600)	14800 (6700)
8	14.0	18100 (8200)	12800 (5800)
9	15.8	15400 (7000)	11200 (5100)
10	17.6	13400 (6100)	9700 (4400)
<b>3TE25</b>			
0	0	59500 (27000)	—
1	1.7	59500 (27000)	59500 (27000)
2	3.4	59500 (27000)	52690 (23900)
3	5.2	59500 (27000)	42550 (19300)
4	6.9	54675 (24800)	35275 (16000)
5	8.7	43880 (19900)	29985 (13600)
6	10.5	36380 (16500)	25575 (11600)
7	12.2	30425 (13800)	22050 (10000)
8	14.0	26015 (11800)	19180 (8700)
9	15.8	22270 (10100)	16755 (7600)
10	17.6	19400 (8800)	14770 (6700)

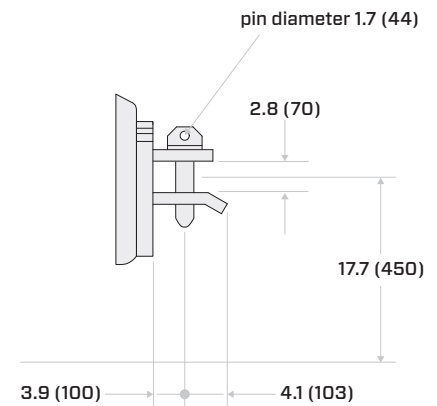
Based on dry even concrete (coefficient of rolling resistance = 0.02).  
Towed weight is the same for two or more trailers.

## STANDARD DRAWBAR DIMENSIONS

SINGLE-STAGE DRAWBAR (2TE15/18)

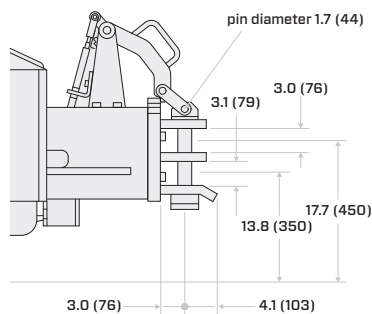


PIN TYPE SINGLE STAGE DRAWBAR (3TE25)

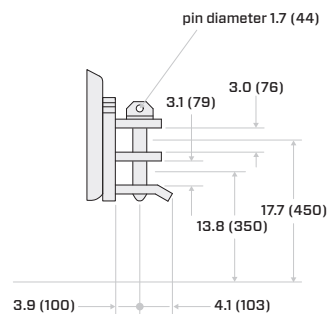


## OPTIONAL DRAWBAR DIMENSIONS

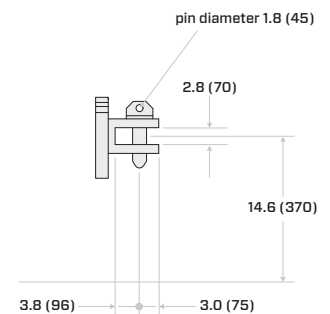
DOUBLE-STAGE DRAWBAR<sup>1</sup>



PIN TYPE DOUBLE STAGE DRAWBAR<sup>2</sup>



FRONT DRAWBAR<sup>2</sup>



<sup>1</sup> 2TE15/18 only

<sup>2</sup> 3TE25 only

Dimension measurements are shown in inches (millimeters).

# LARGE TOW TRACTOR

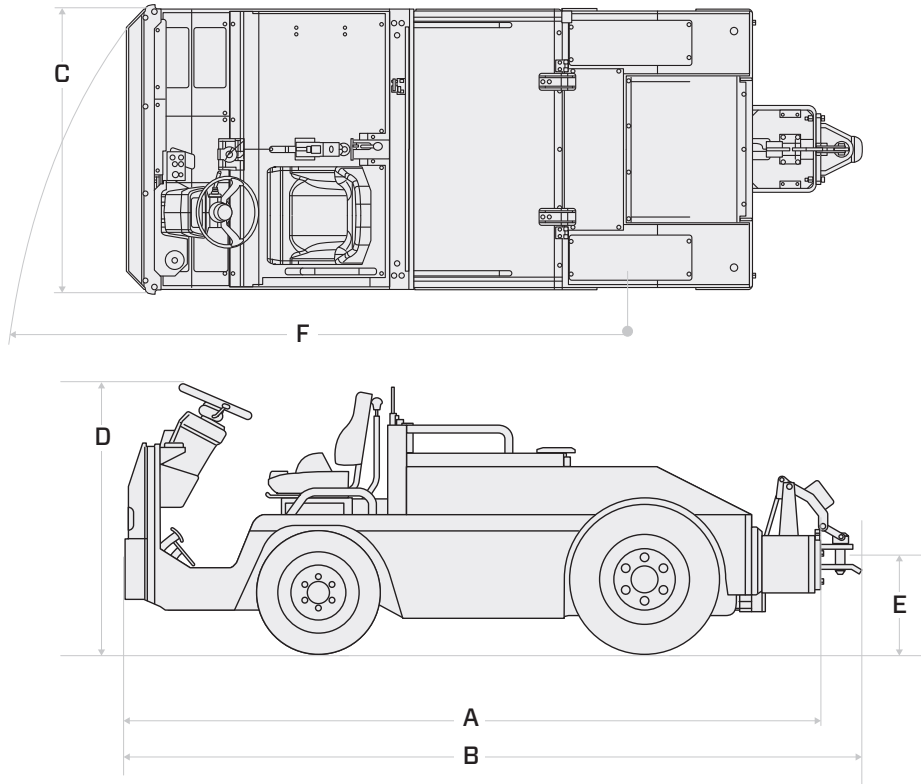
## TRUCK SPECIFICATIONS

### MODEL NUMBERS

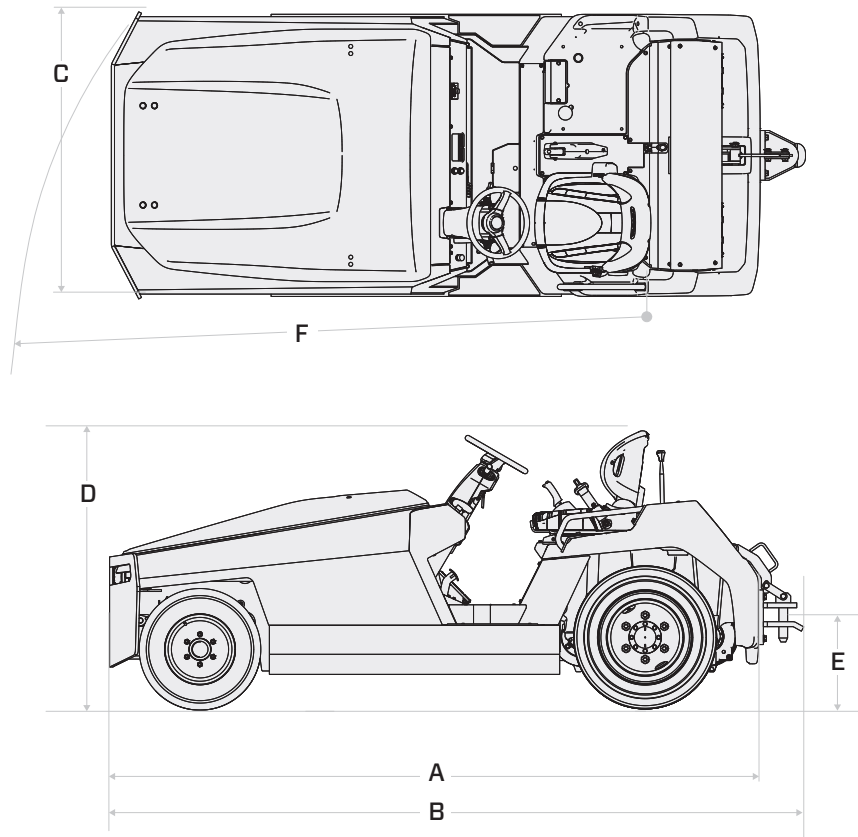
GENERAL DATA				2TE15	2TE18	3TE25
Maximum Drawbar Pull		lb (kg)		3300 (1500)	4000 (1800)	5500 (2500)
Power Type				Electric	Electric	Electric
Operator Position				Seated Rider	Seated Rider	Seated Rider
Tire Type	Front / Rear			Pneumatic	Pneumatic	Pneumatic
Wheels (x = driven)	Front / Rear			2 / 2x	2 / 2x	2 / 2x
EXTERIOR DIMENSIONS				2TE15	2TE18	3TE25
<b>A</b> Overall Length	Without Hitch		in (mm)	133.7 (3395)	133.7 (3395)	128.5 (3265)
	With Hitch		in (mm)	142.3 (3615)	142.3 (3615)	137.6 (3495)
<b>C</b> Overall Width			in (mm)	55.9 (1420)	55.9 (1420)	56.9 (1445)
<b>D</b> Overall Height	Without Cabin		in (mm)	50.4 (1280)	50.4 (1280)	54.7 (1390)
<b>E</b> Drawbar Height	Standard Hitch		in (mm)	17.7 (450)	17.7 (450)	17.7 (450)
<b>F</b> Turning Radius (outside)			in (mm)	129.7 (3295)	129.7 (3295)	126 (3200)
PERFORMANCE DATA				2TE15	2TE18	3TE25
Speeds	Maximum Travel	No Load	mph (km/h)	15.5 (25)	17.5 (28)	15.5 (25)
Towed Weight (60-minute rating)		Maximum	lb (kg)	44100 (20000)	55100 (25000)	59500 (27000)
Rated Drawbar Pull (60-minute rating)			lb (kg)	880 (400)	1100 (500)	1190 (540)
Gradeability <sup>1</sup>		Maximum	%	26	26	33
TRUCK WEIGHTS				2TE15	2TE18	3TE25
Total Weight (without cabin)	Without Battery		lb (kg)	4190 (1900)	4960 (2250)	7080 (3210)
	With Standard Battery		lb (kg)	6730 (3050)	7495 (3400)	10515 (4770)
Weight Distribution	With Standard Battery	Front	lb (kg)	3240 (1470)	3152 (1430)	4010 (1820)
		Rear	lb (kg)	3490 (1580)	4343 (1970)	6500 (2950)
TIRES				2TE15	2TE18	3TE25
Tires		Number (front / rear)		2 / 2	2 / 2	2 / 2
Size	Front			165R13-8PR (LT)	175R13-8PR (LT)	175R13-8PR (LT)
	Rear			7.00-12-12PR (I)	28 x 8-15-12PR (I)	28 x 8-15-12PR (I)
Wheelbase		in (mm)		63.0 (1600)	63.0 (1600)	88.2 (2240)
Tread Width	Front		in (mm)	46.3 (1175)	46.3 (1175)	48.2 (1225)
	Rear			43.7 (1100)	43.7 (1100)	46.9 (1190)
Underclearance		in (mm)		5.9 (150)	5.9 (150)	5.9 (150)
Brake Type (front / rear)				Disc / Drum	Disc / Drum	Disc / Drum
Brake System	Service (foot)			Tandem Hydraulic	Tandem Hydraulic	Tandem Hydraulic
	Parking (hand)			Mechanical-Double Action	Mechanical-Double Action	Mechanical-Double Action
POWER SYSTEM				2TE15	2TE18	3TE25
Battery	Voltage		V	80	80	80
Battery Capacity (6-hour rating)	Minimum		Ah	425	425	560
	Maximum		Ah	550	550	620
Battery Manufacturer				Exide	Exide	Energys/Hawker
Battery Type	Minimum			40E85-11	40E85-11	4PzS560
	Maximum			40E110W-11	40E110W-11	4PzS620
Drive Motor				TOYOTA	TOYOTA	TOYOTA
Drive Motor Type				AC	AC	AC (Dual)
Drive Motor Output Rating		hp (kw)		15.8 (11.8)	22.3 (16.6)	15 x 2 (11.2 x 2)
Controller Type				Transistor Inverter	Transistor Inverter	Transistor Inverter
Suspension Type	Front			Leaf Spring	Leaf Spring	Leaf Spring
	Rear			Rigid	Rigid	Leaf Spring
Steering Type				Hydraulic Recirculating Ball	Hydraulic Recirculating Ball	Hydraulic Recirculating Ball

<sup>1</sup> Compound values

## 2TE15/18 EXTERIOR DIMENSIONS



## 3TE25 EXTERIOR DIMENSIONS





**“THE NAME ON MY SHIRT  
SAYS TOYOTA,  
BUT I WORK  
FOR YOU.”**

Alan – 360 Technician, Atlas Toyota Material Handling, Chicago, IL



**HELP IS ALWAYS HERE WITH TOYOTA 360 SUPPORT.**

The industry's best and most comprehensive dealer network quickly delivers Toyota Certified Technicians to your work site. These specially trained technicians can also help assess your warehouse and facility needs to recommend the right equipment for the job. And with the largest fleet of used and rental material handling products, Toyota 360 keeps your business running at full speed.

[ToyotaForklift.com/360-Support](http://ToyotaForklift.com/360-Support)



**YOUR BUSINESS IS RIDING ON IT.**

Some product features described herein are optional. Please consult your dealer for specifications. Details of specifications and equipment are based on information available at time of printing and may change without notice.



00722LTOWTRACTOR

©2019 Toyota Material Handling, Inc.