

Technical Specifications

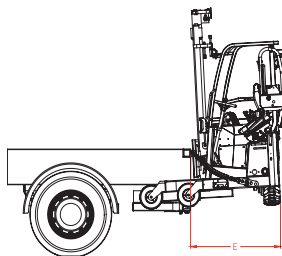
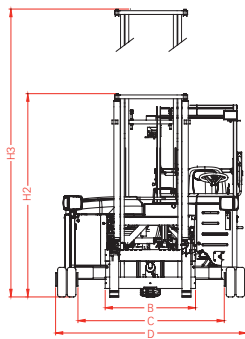
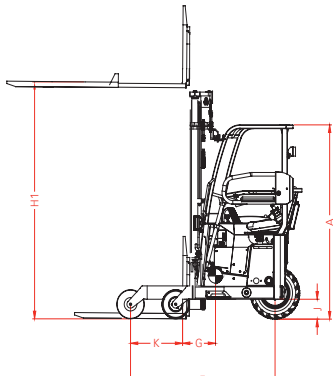
Princeton PB36



PRINCETON
DELIVERY SYSTEMS®



Princeton PB36 Technical Specifications



	Model	PB36
	TYPE	STM / TELESCOPIC LEGS
1	CAPACITY @ 24" LOAD CENTER (LEGS RETRACTED)	3600 lbs (2750 lbs)
2	DIESEL ENGINE	25 HP
3	ENGINE EMISSION COMPLIANCE	EPA Tier4 Final
4	MAXIMUM RPM	3000 RPM
5	ELECTRICAL SYSTEM	12 Volt
6	DRIVE WHEELS	1
7	STEERING	Hydrostatic
8	TIRE TYPE	400 x 4 (IND)
		23 x 8.5 - 12 (SS)
9	TIRE OUTSIDE DIAMETER (FRONT/REAR)	11.5" / 23"
10	TIRE WIDTH (FRONT/REAR)	4" / 8.5"
11	MAXIMUM SPEED	7 mph
12	MAXIMUM GRADABILITY	15%
13	TURNING RADIUS	82"
14	UNLADEN WEIGHT	3500 lbs
15	WORKING PRESSURE (ATTACHMENTS)	2500 psi
16	TILT OF MAST (FORWARD/BACKWARD)	8° / 7°
17	SIDESHIFT	5.5"
18	FORK SECTION	6.75 x 2.25 x 42"
19	REACH	30"
A	HEIGHT TO TOP OF CANOPY	81"
B	FORK CARRIAGE WIDTH (CLASS)	47.25" (III)
C	FRAME OPENING	60"
D	OVERALL WIDTH	80"
E	OVERHANG	46"
F	WHEELBASE (EXTENDED/RETRACTED)	63" / 47"
G	CENTER OF GRAVITY (FROM FORK FACE)	17"
H1	LIFT HEIGHT	87"
H2	MAST HEIGHT - COLLAPSED	78"
H3	MAST HEIGHT - RAISED	121"
J	GROUND CLEARANCE	8"
K	FACE OF FORK TO CENTER OF FRONT TIRE (EXT/RET)	23" / 7"
L	ANSI STANDARD	B56.6

The above specifications are not binding upon the manufacturer and may be changed without prior notice.

Weights may vary, depending on tire and/or fork options

For more information, contact your local PiggyBack Dealer

PRINCETON

DELIVERY SYSTEMS®

Princeton Delivery Systems

12233 Williams Road

Perrysburg, OH 43551 USA

tel 1.800.331.5851

www.piggy-back.com

A Part of the Hiab Group
V2017.05.11